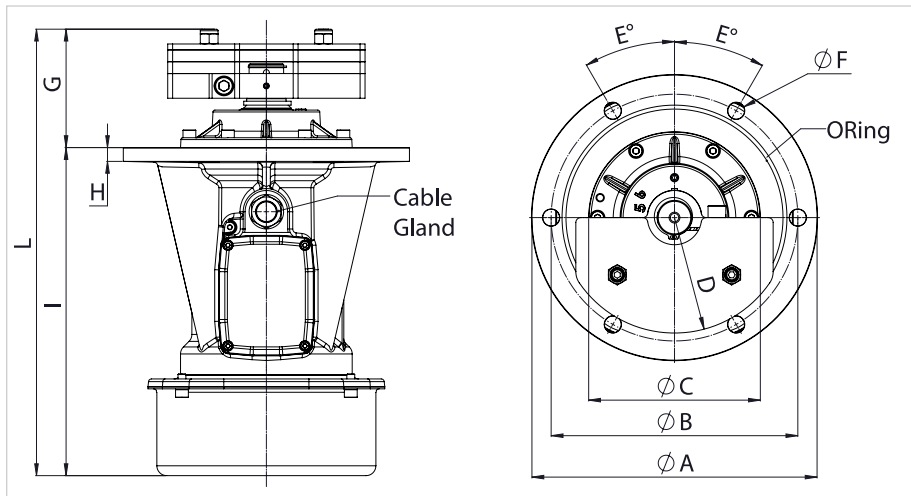




Flanged Motivibrator SL - Sieve Lateral

Flanged motor for circular vibrating sieves - 50Hz / 60Hz



Wm (kgcm)		Model		Poles	Centrifugal Force (kg)		UP Centrifugal Force (kg)		DOWN Centrifugal Force (kg)		rpm		Weight (kg)		ELECTRICAL SPECIFICATIONS						
50Hz	60Hz	50Hz	60Hz	n°	50Hz	60Hz	50Hz	60Hz	50Hz	60Hz	50Hz	60Hz	50Hz	60Hz	Input Power (kW)		Nominal Current A max. (Y)		Ia / In (Ampere)		Cable Gland
50Hz	60Hz	50Hz	60Hz		50Hz	60Hz	50Hz	60Hz	50Hz	60Hz	50Hz	60Hz	50Hz	60Hz	50Hz	60Hz	50Hz (400V)	60Hz (460V)	50Hz	60Hz	Metric
9	6	MVE 500/3N SL-40AD	MVE 500/36N SL-40AD	2	464	455	361	354	103	101	3,000	3,600	14.6	14.16	0.3	0.36	0.58	0.6	3.5	3.5	20
22	15	MVE 1100/3N SL-50AE	MVE1100/36N SL-50AE	2	1105	1098	865	860	240	238	3,000	3,600	24.7	23.96	0.5	0.58	0.96	0.97	4	4.2	20
29	20	MVE 1500/3N SL-50AF	MVE 1500/36N SL-50AF	2	1,445	1,435	1,235	1,227	210	208	3,000	3,600	45	43.65	1.3	1.38	2.44	2.25	5.2	5	25
32	22	MVE 500/15N SL-40AD	MVE 500/18N SL-40AD	4	408	403	306	302	102	101	1,500	1,800	19	18.43	0.3	0.35	0.84	0.86	2.5	2.5	20
63	43	MVE 800/15N SL-50AE	MVE 800/18N SL-50AE	4	786	777	606	604	180	173	1,500	1,800	31	30.07	0.65	0.78	1.5	1.7	3.8	3.8	20
86	59	MVE 1100/15N SL-50AF	MVE 1100/18N SL-50AF	4	1,076	1,070	824	820	252	250	1,500	1,800	34.5	33.46	0.65	0.78	1.5	1.7	3.8	3.8	20
86	59	MVE 1100/15N SL-50AG	MVE 1100/18N SL-50AG	4	1,076	1,070	824	820	252	250	1,500	1,800	39	37.83	0.65	0.78	1.5	1.7	3.8	3.8	20
121	84	MVE 1500/15N SL-60AF	MVE 1500/18N SL-60AF	4	1,525	1,517	1,200	1,195	325	322	1,500	1,800	49	47.53	0.9	1.1	1.71	1.78	4	4	25

DIMENSIONAL SPECIFICATIONS (mm)

Model		Size	A	B	C	D	E°	F	G	H	I	L	Holes	O Ring	Mx1,5
MVE 500/3N SL-40AD	MVE 500/36N SL-40AD	40	232	205	150	73	30	13	45	12	256	301	6	4700	20
MVE 1100/3N SL-50AE	MVE1100/36N SL-50AE	50	260	230	168	92.5	30	15	79	24	298	377	6	4800	20
MVE 1500/3N SL-50AF	MVE 1500/36N SL-50AF	60	290	250	174	117	30	17	96	14	332.5	428	6	4850	25
MVE 500/15N SL-40AD	MVE 500/18N SL-40AD	40	232	205	150	78	30	13	80	12	256	336	6	4700	20
MVE 800/15N SL-50AE	MVE 800/18N SL-50AE	50	260	230	168	97.5	30	15	103.5	24	298	401.5	6	4800	20
MVE 1100/15N SL-50AF	MVE 1100/18N SL-50AF	50	290	250	168	105	30	17	103.5	24	298	401.5	6	4850	20
MVE 1100/15N SL-50AG	MVE 1100/18N SL-50AG	50	179	254	168	105	45	14	103.5	24	298	401.5	4	--	20
MVE 1500/15N SL-60AF	MVE 1500/18N SL-60AF	60	290	250	174	117	30	17	130	14	332.5	462.5	6	4850	25

FLANGED MOTOVIBRATOR SL

APPLICATION Circular vibrating sieves.

PROBLEM SOLVING Quick and easy installation and maintenance; grease for life.

FEATURES

INPUT VOLTAGE 400V (50Hz) or 460V (60Hz)

AMBIENT TEMPERATURE -20°C + 40°C

IP 66

THERMAL PROTECTION PTC Termistor 130°C (above size 60)

INSULATION CLASS F

This information is furnished without warranty, representation, inducement or license of any kind. It is accurate to the best OLI knowledge or is obtained from sources believed to be accurate. OLI therefore assumes no legal responsibility.